



# SDI to HDMI Mini Converter

**CB-2011**



CB-2011 is an exquisite and portable SDI to HDMI converter. With micro USB power supply, convenient and detachable mounting bracket, CB-2011 is the best choice for outdoors and indoors. With 3G-SDI input and SDI loop-out, CB-2011 can auto detect SD/HD/3G-SDI signal up to 1080p60, and support both Level A and Level B. HDMI Type-A output is compatible for more consumer electronics such as HDMI Television, projector, VCR, etc.

## Connections

### SDI Video Input

1×SD/HD/3G-SDI (75Ω BNC)

### Multi Rate Support

Auto Detect SD/HD/3G-SDI

### Power LED

Power indicator

### SDI Video Loop Output

1×SD/HD/3G-SDI (75Ω BNC)

### Micro USB

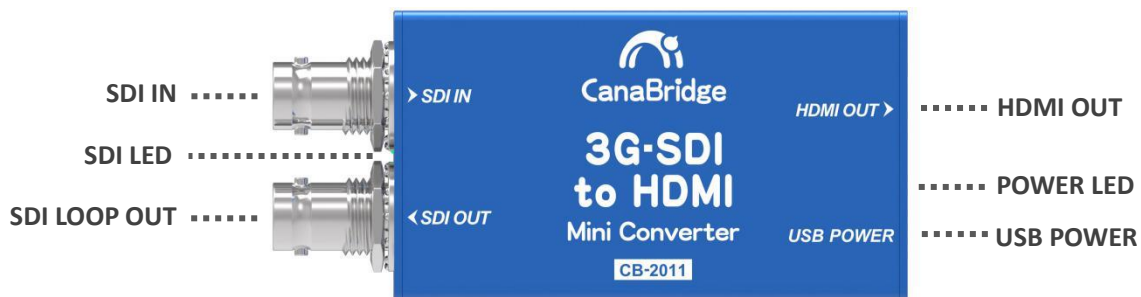
Power and software update

### SDI LED

SDI input signal indicator

### HDMI Video Output

1×HDMI A



## Functions and Standards

### SDI Input Format

- 1080p 50/59.94/60
- 1080p 23.98/24/25/29.97/30
- 1080psf 23.98/24/25/29.97/30
- 1080i 50/59.94/60
- 720p 50/59.94/60
- 525i 59.94, 625i 50

### SDI Video Rate

SD/HD/3G-SDI

### HDMI Output Format

- 1080p 50/59.94/60
- 1080p 23.98/24/25/29.97/30
- 1080i 50/59.94/60
- 720p 50/59.94/60
- 480i 59.94, 576i 50

### SDI Color Space and Precision

YCbCr 4:2:2

### HDMI Color Space and Precision

YCbCr 4:2:2

### SDI Auto Switching

Automatically detects SD, HD and 3G-SDI

### SDI Standard

- SMPTE ST 259,
- SMPTE ST 292-1,
- SMPTE ST 424

## Power

### Power

Micro USB

### Power Consumption

2.5W (Max)

### Voltage Range

USB 3.3-5.5V

## Physical Specifications

### Dimension

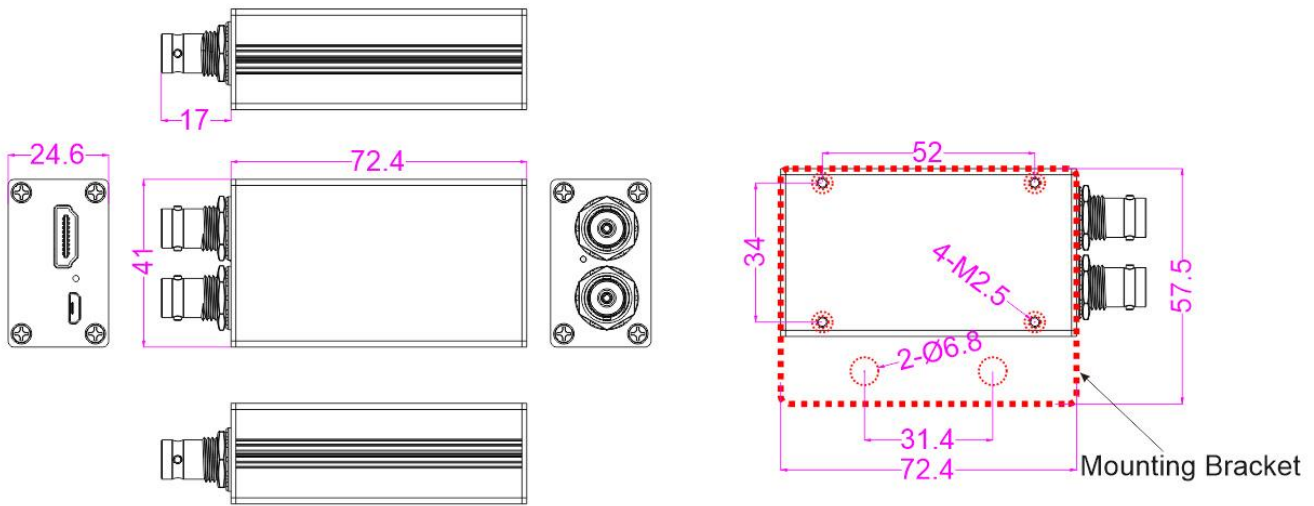
72.4×41×24.6mm

### Net Weight

110g

### Gross Weight

470g



## Environmental Specifications

### Operating Temperature

0°C~40°C

### Storage Temperature

-30°C~70°C

### Relative Humidity

0%~90% non-condensing

## What's Included

CB-2011 (3G-SDI to HDMI Mini Converter)

Mounting Bracket with 4 screws (12g)

DC 5V Universal Power Supply with 5 International Socket Adapters

USB Cable (150cm)

Note: Specifications are subject to change without notice.